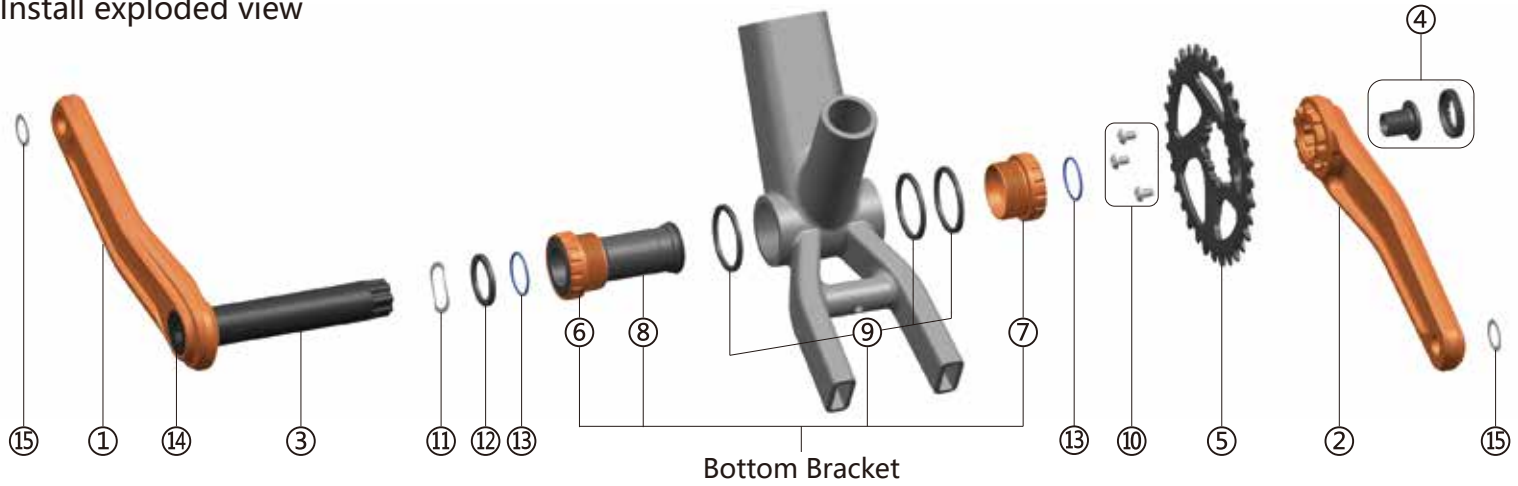
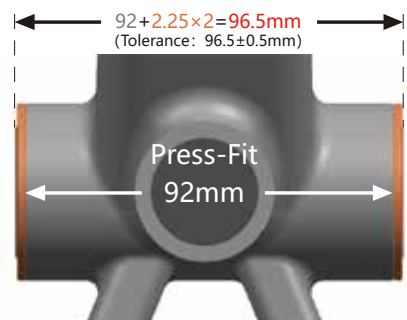
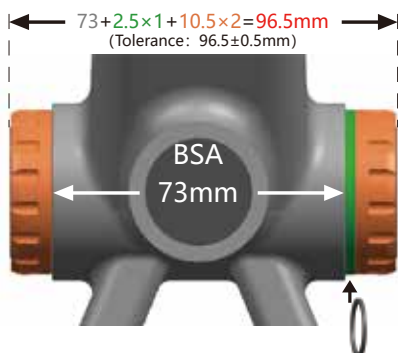
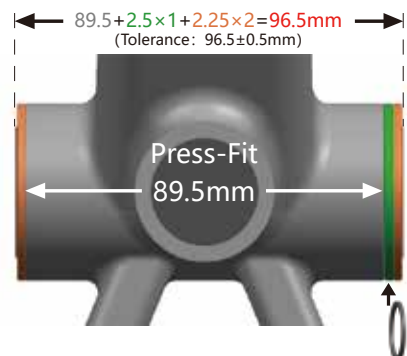
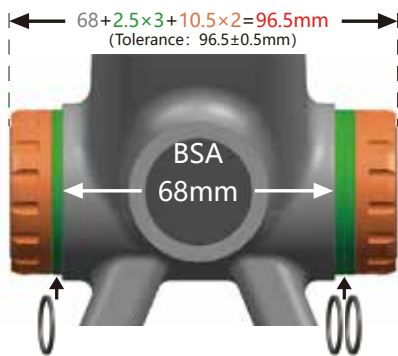


FOVNO® MTB Modular Crankset Instruction

Install exploded view



Item No.	Description	Explanation
1	Arm-Non drive side	170 / 175mm
2	Arm-Drive side	170 / 175mm
3	Φ24mm Spindle	BSA68 / 73mm type ; BSA83mm(DH) type
4	Self-Extracting Bolt Assembly	8mm-HEX bolt + 16mm-HEX bolt cap (Left-hand whorl)
5	Chainring	The chainring offset value determine the Chainline
6	BB Shell-Non drive side	BSA (Right-hand whorl) / Pressing-in
7	BB Shell-Drive side	BSA (Left-hand whorl) / Pressing-in
8	BB Sealed Cartridge Unit	83mm BSA BB need to install extension set
9	BB 2.5mm Shell Spacers	Select the appropriate Quantity to install, see below view
10	Spline Fix Bolts	3 pieces , M5×8mm
11	Wave Spring Washer	Eliminate spindle gap
12	3mm Spacer	The stepped side touches the O-ring
13	O-rings	2 pieces , One on each side of the BB
14	Spindle Fix Bolt	Do not disassemble
15	Pedal Spacers	2 pieces , Reasonable use can increase whorl's durability



Precautions:

1. Recommended to use FOVNO or Shimano MTB BB, the BB width of other brands may not reach the standard value.
2. 83mm BSA BB total width is: $83 + 2.5 \times 3 + 10.5 \times 2 = 111.5\text{mm}$, need to use 83mm type's spindle to install.
3. If the spindle gap is too large or small, please check the reason according to the instruction, avoid safety hazards