

PAIFA ski clip installation crossbar rack instructions

Introduction

Accessory



Key x2



M6 x 18 x 1.2 Gasket x4



M6 x 16 Screw x5



50 x 3cm Magic strap x2



4mm Allen key x1



M6 x 16 x 4 Square nut x4



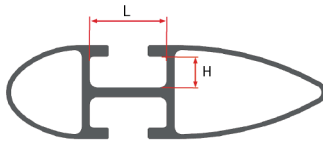
M6 x 19 x 4 Square nut x4



M6 x 22 x 5 Square nut x4

Installation Precautions:

1. According to the figure, measure the size of the roof rail installation slot, and select the correct square nut (three sizes of square nuts are standard, please make sure your roof rail is applicable before purchase).



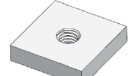
Measure width (L) and height (H)



M6 x 16 x 4



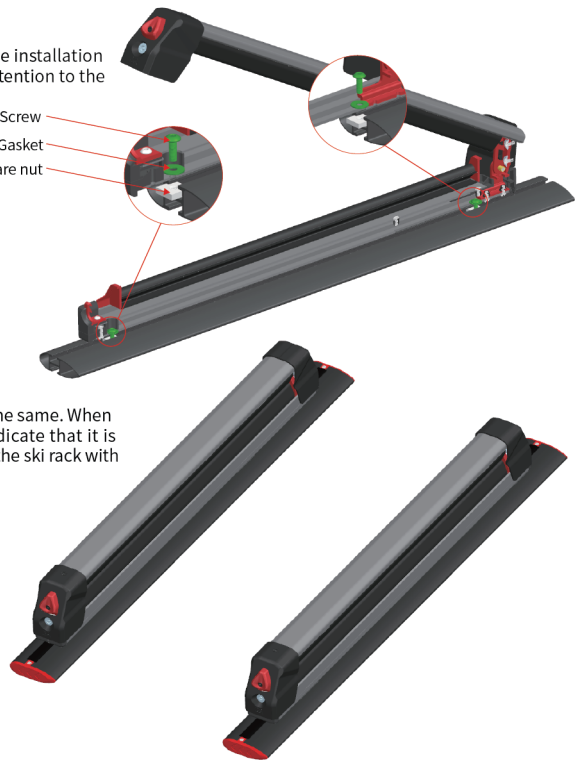
M6 x 19 x 4



M6 x 22 x 5

2. Choose a suitable position to install the ski rack. The installation method is as shown in the figure on the right. Pay attention to the tightening of the screws.

Screw
Gasket
Square nut



3. The direction of the open end of a ski rack must be the same. When you close the clamp, you will hear two clicks to indicate that it is firmly secured. Then lock it with a key. Finally, tie up the ski rack with a magic belt.

4. Drivers must abide by traffic rules when using this product. The maximum speed does not exceed 120km/h. Please slow down when turning, drive slowly on bumpy roads.

PICC

This product is underwritten by People's Insurance Company of China Only in China (excluding Hong Kong, Macao and Taiwan)

※ In case of personal and property losses caused by accidents during the use of this product, please contact the insurance company at the first time and take photos of the scene for accident claim (customer service hotline of people's Insurance of China: 95518)